



Glavno

Serijski izdelki	Modicon M340 programabilna platforma
Izdelek ali sestavni del	Modulni števec
Število kanalov	8
Maksimalna frekvenca štetja	10000 Hz
Število vhodov	2 En način) 3 Poseben dvofazni način)
Zdržljivost vhoda	19,2...30 V 2-žični/3-žični senzor bližine Inkrementalni enkoder s push-pull izhodi, 10 do 30 V totemski pol
Vhodna napetost	24 V DC tip 3

Komplementarno

Funkcije števca	Gor/Dol števec 32-bitno štetje števecov Merilnik frekvence Štetje zank (modulo) Štetje dogodkov Odštevanje
Maksimalni čas cikla	5 Ms
Izolacijska napetost	1500 V 60 s
Tip vhoda	Visoka hitrost
Meje vhodne napetosti	30 V
Vhodni tok	2 MA Pri 11 V
Stanje napetosti 1 zagotovljeno	11 do 30 V
Tokovno stanje 1 zagotovljeno	>= 6 mA
Stanje napetosti 0 zagotovljeno	< 5 V
Tokovno stanje 0 zagotovljeno	<= 1,5 mA
Električna povezava	1 konektor 20 zatičev
Poraba toka	200 mA 3,3 V DC Vodilo 80 mA 24 V DC Senzor
Format modula	Standard
Teža izdelka	0,113 Kg

Okolje

Temperatura okoliškega zraka za delovanje	0...60 °C
Relativna vlažnost	10...95 % Brez kondenzacije
IP stopnja zaščite	IP20
Direktive	2014/35/EU - direktiva nizke napetosti 2014/30/EU - elektromagnetna kompatibilnost
Zaščitna obdelava	TC

The information provided in this documentation contains general descriptions and/or technical characteristics of the performance of the products contained herein. This documentation is not intended as a substitute for and is not to be used for determining suitability or reliability of these products for specific user applications. It is the duty of any such user or integrator to perform the appropriate and complete risk analysis, evaluation and testing of the products with respect to the relevant specific application or use thereof. Neither Schneider Electric Industries SAS nor any of its affiliates or subsidiaries shall be responsible or liable for misuse of the information contained herein.

Embalážna enota

Unit Type of Package 1	PCE
Number of Units in Package 1	1
Package 1 Height	5,2 Cm
Package 1 Width	11,0 Cm
Package 1 Length	11,8 Cm
Package 1 Weight	143,0 G
Unit Type of Package 2	S02
Number of Units in Package 2	15
Package 2 Height	15,0 Cm
Package 2 Width	30,0 Cm
Package 2 Length	40,0 Cm
Package 2 Weight	2,39 Kg

Trajnost ponudbe

Status trajnostne ponudbe	Izdelek Green Premium
Uredba REACH	Izjava REACH
REACH, brez snovi SVHC	Da
Direktiva EU ROHS	Proaktivno zagotavljanje skladnosti (izdelek je zunaj področja uporabe direktive EU RoHS) Izjava EU RoHS
Brez živega srebra	Da
Informacije o izvzetju iz RoHS	Da
Uredba o RoHS za Kitajsko	Izjava O RoHS Za Kitajsko
Razkritje okoljskih podatkov	Okoljski Profil Izdelka
Profil krožnega gospodarstva	Informacije O Izteku Življenjske Dobe
OEE0	Na trgih Evropske unije je treba izdelek zavreči v skladu s posebnim postopkom zbiranja odpadkov in ga ni dovoljeno zavreči skupaj z gospodinjskimi odpadki.

Pogodbena garancija

Garancija	18 months
-----------	-----------

Modules Mounted on Racks

Dimensions



(1) With removable terminal block (cage, screw or spring).

(2) With FCN connector.

(3) On AM1 ED rail: 35 mm wide, 15 mm deep. Only possible with BMXXBP0400/0400H/0600/0600H/0800/0800H rack.

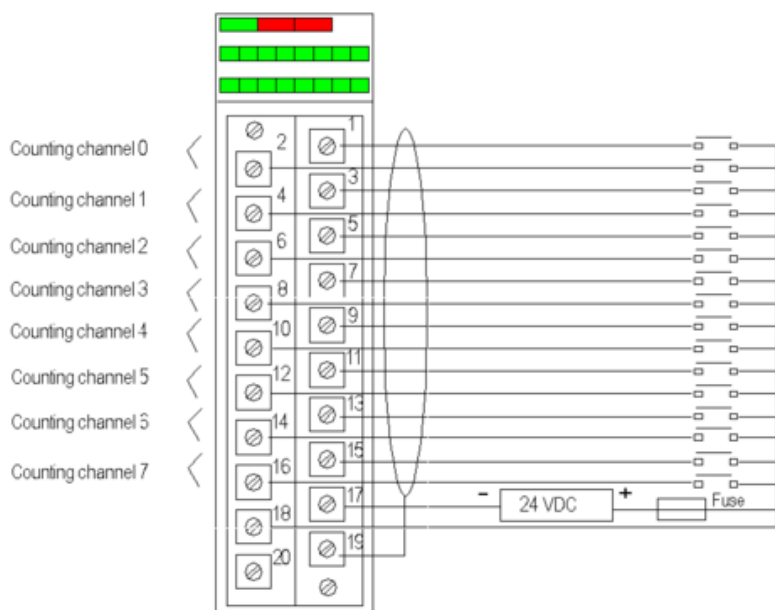
Rack references	a in mm	a in in.
BMXXBP0400 and BMXXBP0400H	242.4	09.54
BMXXBP0600 and BMXXBP0600H	307.6	12.11
BMXXBP0800 and BMXXBP0800H	372.8	14.68
BMXXBP1200 and BMXXBP1200H	503.2	19.81

Counting Module Wiring

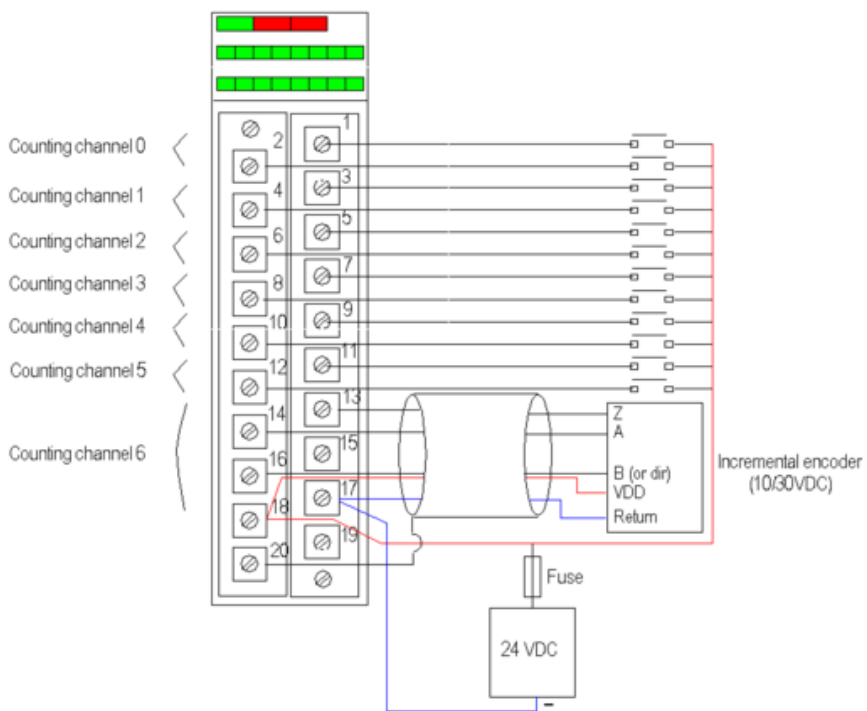
Pin Assignments

IN_A input for channel 0	2	1	IN_AUX input for channel 0
IN_A input for channel 1 or IN_B input for channel 0	4	3	IN_AUX input for channel 1
IN_A input for channel 2	6	5	IN_AUX input for channel 2
IN_A input for channel 3 or IN_B input for channel 2	8	7	IN_AUX input for channel 3
IN_A input for channel 4	10	9	IN_AUX input for channel 4
IN_A input for channel 5 or IN_B input for channel 4	12	11	IN_AUX input for channel 5
IN_A input for channel 6	14	13	IN_AUX input for channel 6
IN_A input for channel 7 or IN_B input for channel 6	16	15	IN_AUX input for channel 7
VDC + power supply for sensors	18	17	Return + 24 V power supply for sensors
Functional earth, for shield continuation	20	19	Functional earth, for shield continuation

Sensor Connection Example



Incremental Encoder Connection Example for Axis Control



Channels 0 to 5 are still used in single mode.
 Channel 7 is no longer available.

Recommended Circuit for a Highly Disturbed Environment Using BMXXSP... Electromagnetic Protection Kit

