

Product data sheet

Characteristics

HMIZSURDP

3-m kabel daljinskega krmiljenja za ploščo SCU



Glavno

| | |
|--------------------------|-----------------------------|
| Serija izdelka | Harmony SCU |
| Izdelek ali sestavni del | Daljinski upravljalni kabel |

Komplementarno

| | |
|---------------|-----------|
| Dolžina kabla | 3 M |
| Višina | 105,4 Mm |
| Širina | 131,33 Mm |
| Globina | 23,75 Mm |
| Teža izdelka | 0,689 Kg |

Embalažna enota

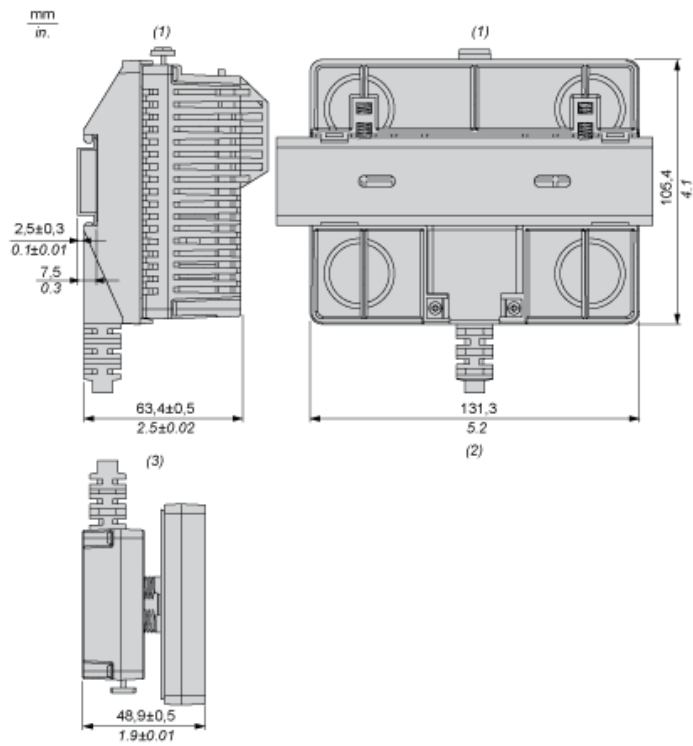
| | |
|---------------------------|----------|
| Tip enote v embalaži 1 | PCE |
| Število enot v embalaži 1 | 1 |
| Teža embalaže 1 | 670 G |
| Višina embalaže 1 | 7,2 Cm |
| Širina embalaže 1 | 18,4 Cm |
| Dolžina embalaže 1 | 26,7 Cm |
| Tip enote v embalaži 2 | S03 |
| Število enot v embalaži 2 | 6 |
| Teža embalaže 2 | 4,02 Kg |
| Višina embalaže 2 | 30 Cm |
| Širina embalaže 2 | 30 Cm |
| Dolžina embalaže 2 | 40 Cm |
| Tip enote v embalaži 3 | P12 |
| Število enot v embalaži 3 | 96 |
| Teža embalaže 3 | 64,32 Kg |
| Višina embalaže 3 | 75 Cm |
| Širina embalaže 3 | 80 Cm |
| Dolžina embalaže 3 | 120 Cm |

The information provided in this documentation contains general descriptions and/or technical characteristics of the performance of the products contained herein. This documentation is not intended as a substitute for and is not to be used for determining suitability or reliability of these products for specific user applications. It is the duty of any such user or integrator to perform the appropriate and complete risk analysis, evaluation and testing of the products with respect to the relevant specific application or use thereof. Neither Schneider Electric Industries SAS nor any of its affiliates or subsidiaries shall be responsible or liable for misuse of the information contained herein.

Trajnost ponudbe

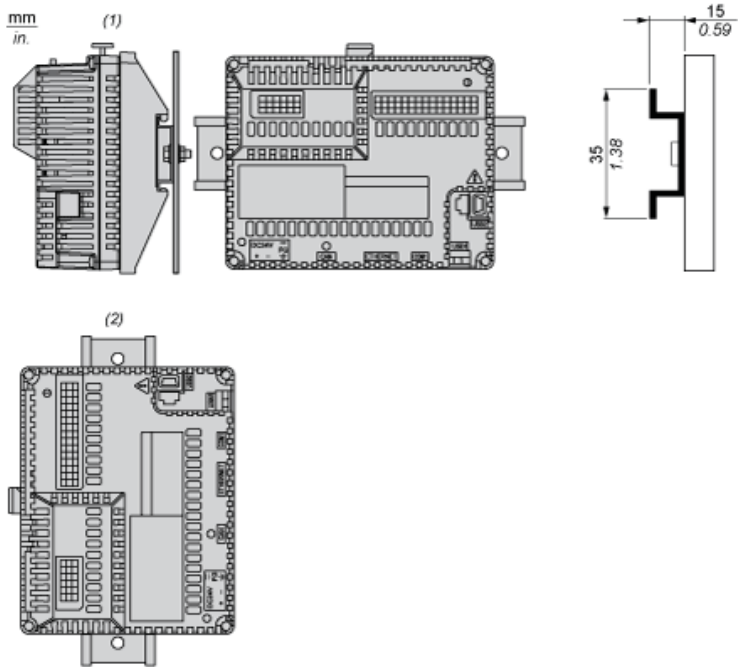
| | |
|--------------------------------|--|
| Uredba REACH | Izjava REACH |
| REACH, brez snovi SVHC | Da |
| Direktiva EU ROHS | Proaktivno zagotavljanje skladnosti (izdelek je zunaj področja uporabe direktive EU RoHS) Izjava EU RoHS |
| Brez strupenih težkih kovin | Da |
| Brez živega srebra | Da |
| Informacije o izvzetju iz RoHS | Da |
| Uredba o RoHS za Kitajsko | Izjava O RoHS Za Kitajsko |
| OEE0 | Na trgih Evropske unije je treba izdelek zavreči v skladu s posebnim postopkom zbiranja odpadkov in ga ni dovoljeno zavreči skupaj z gospodinjskimi odpadki. |

Dimensions



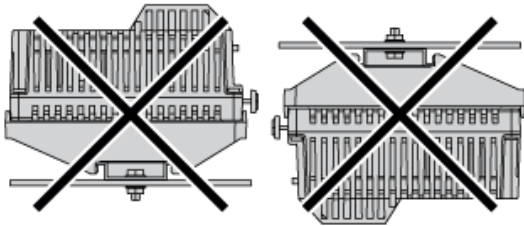
- (1) Rear module
- (2) Rear module remote cable
- (3) Panel remote cable

Recommended Mounting position

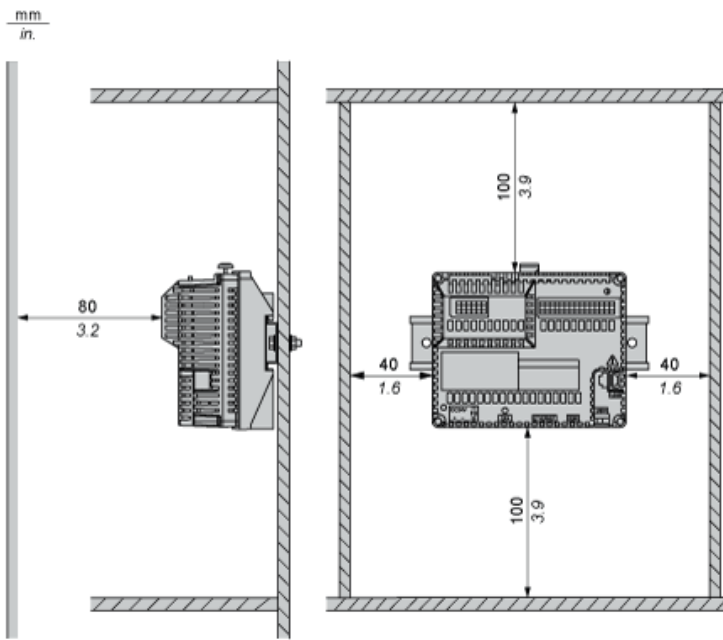


- (1) Horizontal mounting
- (2) Vertical mounting

No Recommended Mounting Position



Clearance



Keep adequate spacing for proper ventilation to maintain an ambient temperature between 0...50 °C (32...122 °F) for horizontal installation and 0...40 °C (32...104 °F) for vertical installation.