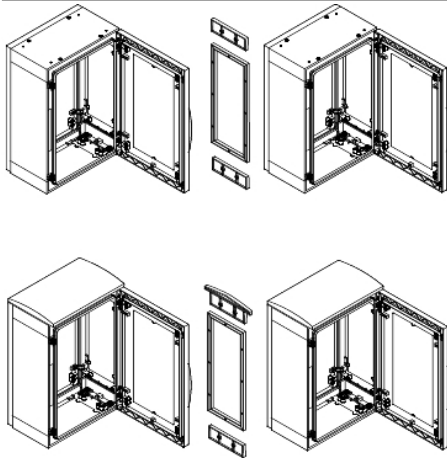


## Product data sheet

### Characteristics

# NSYSUPLA3G

Dodatni komp. za est. obdelavo za spajanje r.  
PLA ali PLAZ brez pokr., G 320 mm



### Predstavitev

|                                       |                                  |
|---------------------------------------|----------------------------------|
| Skupina izdelkov                      | Thalassa                         |
| Kategorija dodatkov/<br>ločenih delov | Dodatna oprema za spenjanje      |
| Izdelek ali sestavni del              | Coupling trim frame              |
| Anwendung                             | Večnamenski                      |
| Lokacija montaže                      | Stransko povezovanje dveh ohišij |
| Združljivost serije/<br>obsega        | Thalassa PLA suitable enclosure  |
| Nominalne dimenzije<br>omare          | D: 320 mm                        |
| Sestava naprave                       | 2 Trim okvir                     |

### Komplementarno

|                    |                  |
|--------------------|------------------|
| Material           | Frame: polyester |
| Višina             | 120 Mm           |
| Širina             | 50 Mm            |
| Globina            | Nazivna 320 mm   |
| IP stopnja zaščite | IP55             |
| Barva              | Siva RAL 7035)   |

### Embalažna enota

|                           |       |
|---------------------------|-------|
| Tip enote v embalaži 1    | PCE   |
| Število enot v embalaži 1 | 1     |
| Teža embalaže 1           | 659 G |
| Višina embalaže 1         | 12 Cm |
| Širina embalaže 1         | 5 Cm  |
| Dolžina embalaže 1        | 27 Cm |

### Trajnost ponudbe

|                                |  |
|--------------------------------|--|
| Status trajnostne ponudbe      | Izdelek Green Premium  |
| Uredba REACH                   | <a href="#">Izjava REACH</a>   |
| Direktiva EU ROHS              | Proaktivno zagotavljanje skladnosti (izdelek je zunaj področja uporabe direktive EU RoHS) <a href="#">Izjava EU RoHS</a> |
| Brez živega srebra             | Da   |
| Informacije o izvzetju iz RoHS | <a href="#">Da</a>   |
| Uredba o RoHS za Kitajsko      | <a href="#">Izjava O RoHS Za Kitajsko</a>  |
| Razkritje okoljskih podatkov   | <a href="#">Okoljski Profil Izdelka</a>  |

The information provided in this documentation contains general descriptions and/or technical characteristics of the performance of the products contained herein. This documentation is not intended as a substitute for and is not to be used for determining suitability or reliability of these products for specific user applications. It is the duty of any such user or integrator to perform the appropriate and complete risk analysis, evaluation and testing of the products with respect to the relevant specific application or use thereof. Neither Schneider Electric Industries SAS nor any of its affiliates or subsidiaries shall be responsible or liable for misuse of the information contained herein.