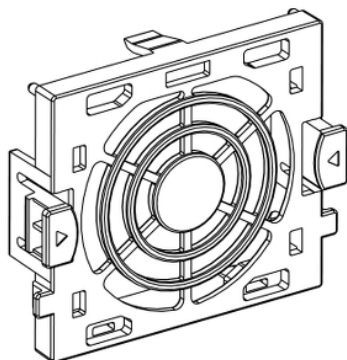


Product data sheet

Characteristics

VZ3V1208

Ventilator za pogon s spremenljivo hitrostjo



Predstavitev

Serija izdelka	Altivar
Tip dodatkov/ločenih delov	Komplet za ventilator
Kategorija dodatkov/ločenih delov	Hladiлни dodatek

Komplementarno

Združljivost izdelkov	Pogon s spremenljivo hitrostjo ATV61 Pogon s spremenljivo hitrostjo ATV71 Pogon s spremenljivo hitrostjo ATV212 Pogon s spremenljivo hitrostjo ATV61 Plus Pogon s spremenljivo hitrostjo ATV71 Plus Pogon s spremenljivo hitrostjo ATV71Q
-----------------------	--

Embalažna enota

Teža embalaže 1	0,999 Kg
Višina embalaže 1	0,900 Dm
Širina embalaže 1	3,000 Dm
Dolžina embalaže 1	3,000 Dm

The information provided in this documentation contains general descriptions and/or technical characteristics of the performance of the products contained herein. This documentation is not intended as a substitute for and is not to be used for determining suitability or reliability of these products for specific user applications. It is the duty of any such user or integrator to perform the appropriate and complete risk analysis, evaluation and testing of the products with respect to the relevant specific application or use thereof. Neither Schneider Electric Industries SAS nor any of its affiliates or subsidiaries shall be responsible or liable for misuse of the information contained herein.