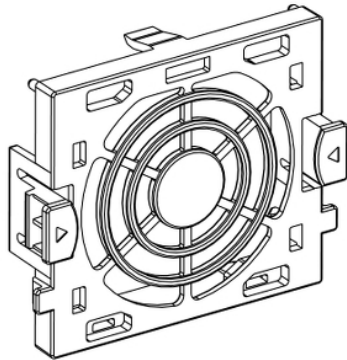


Product data sheet

Characteristics

VZ3V1209

Ventilator za pogon s spremenljivo hitrostjo



Predstavitev

Serija izdelka	Altivar 61 Altivar 71
Tip dodatkov/ločenih delov	Komplet za ventilator
Kategorija dodatkov/ločenih delov	Hladilni dodatek

Komplementarno

Združljivost izdelkov	Pogon s spremenljivo hitrostjo ATV61H 2,2...4 kW 200 do 240 V Enofazni ali trifazni Pogon s spremenljivo hitrostjo ATV61H 3...4 kW 380 do 480 V Trifazni Pogon s spremenljivo hitrostjo ATV61W 4...5,5 kW 380 do 480 V Trifazni Pogon s spremenljivo hitrostjo ATV61E 4...5,5 kW 380 do 480 V Trifazni Pogon s spremenljivo hitrostjo ATV71H 2,2...4 kW 200 do 240 V Enofazni ali trifazni Pogon s spremenljivo hitrostjo ATV71H 3...4 kW 380 do 480 V Trifazni Pogon s spremenljivo hitrostjo ATV71P 3...4 kW 380 do 480 V Trifazni Pogon s spremenljivo hitrostjo ATV71W 3...4 kW 380 do 480 V Trifazni Pogon s spremenljivo hitrostjo ATV71E 3...4 kW 380 do 480 V Trifazni
-----------------------	--

Embalažna enota

Teža embalaže 1	0,194 Kg
Višina embalaže 1	0,700 Dm
Širina embalaže 1	1,700 Dm
Dolžina embalaže 1	2,300 Dm

Pogodbena garancija

Garancija	18 months
-----------	-----------

The information provided in this documentation contains general descriptions and/or technical characteristics of the performance of the products contained herein. This documentation is not intended as a substitute for and is not to be used for determining suitability or reliability of these products for specific user applications. It is the duty of any such user or integrator to perform the appropriate and complete risk analysis, evaluation and testing of the products with respect to the relevant specific application or use thereof. Neither Schneider Electric Industries SAS nor any of its affiliates or subsidiaries shall be responsible or liable for misuse of the information contained herein.