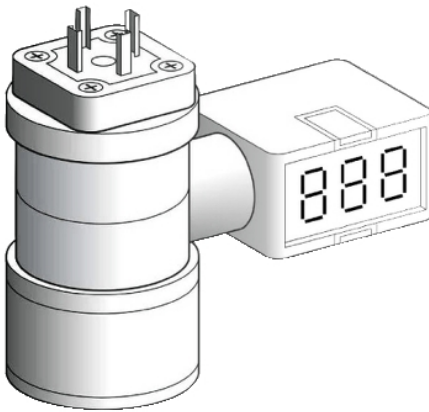


Product data sheet

Characteristics

XMLEZ600

Lokalni zaslon - za elektronski tlačni senzor
600 barov



Glavno

Tip dodatkov/ločenih delov	Zaslon
Tip zaslona	Digitalni prikazovalnik
Delovni položaj	Katerikoli položaj
Združljivost izdelkov	XMLE Analogni tlačni senzorji 0...600 bar EN 175301-803-A (ex DIN43650) XMLP Analogni tlačni senzorji EN 175301-803-A (ex DIN43650)

Komplementarno

Teža izdelka	0,1 Kg
Višina	66 Mm
Globina	40 Mm
Širina	92 Mm

Okolje

Odpornost proti vibracijam	35 gn 60...2000 Hz) 5 gn 25...200 Hz)
Temperatura okoliškega zraka za delovanje	-15...80 °C
Standardi	CE
Certifikati izdelkov	UL CSA

Trajnost ponudbe

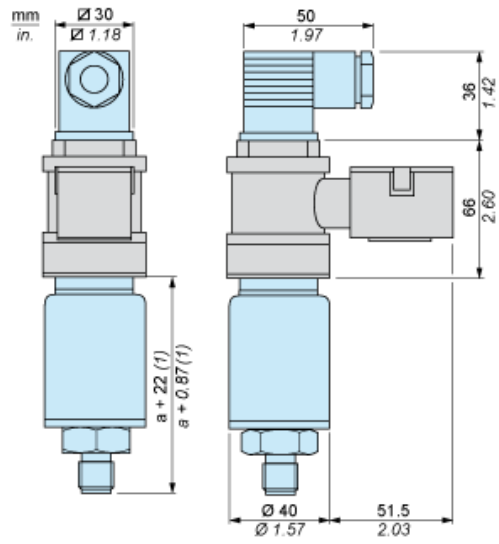
Uredba REACH	Izjava REACH
Direktiva EU ROHS	Proaktivno zagotavljanje skladnosti (izdelek je zunaj področja uporabe direktive EU RoHS) Izjava EU RoHS
Brez živega srebra	Da
Informacije o izvzetju iz RoHS	Da

Pogodbena garancija

Garancija	18 months
-----------	-----------

The information provided in this documentation contains general descriptions and/or technical characteristics of the performance of the products contained herein. This documentation is not intended as a substitute for and is not to be used for determining suitability or reliability of these products for specific user applications. It is the duty of any such user or integrator to perform the appropriate and complete risk analysis, evaluation and testing of the products with respect to the relevant specific application or use thereof. Neither Schneider Electric Industries SAS nor any of its affiliates or subsidiaries shall be responsible or liable for misuse of the information contained herein.

Dimensions



(1) $a = 75$