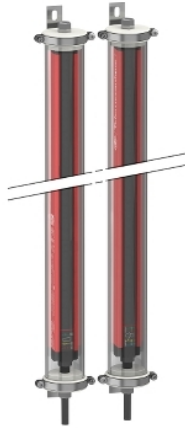


# XUSL4E3BB081LWC

XUSL tipa 4 za telo IP69K brez ogr. - dolg obseg zazn. - 3 žarki, Hp = 810 mm



## Glavno

|  |  |
|--|--|
| Serijska izdelka                         | Telemecanique Safety light curtains XUSL                   |
| Izdelek ali sestavni del                 | Varnostna svetlobna zavesa tipa 4                          |
| Kratko ime naprave                       | XUSL4E   |
| Tip izhoda                               | 2 Varnost izhodi OSSD Polprevodni PNP Odpravljanje obloka) |
| Uporaba izdelka za specifične aplikacije | Za zaščito ohišja  |
| [Sn] Nazivna razdalja zaznavanja         | 3...17 M Z okablenjem<br>0...8 M Z okablenjem              |
| [Hp] Height protected                    | 810 Mm   |
| Število žarkov                           | 3  |
| Space between beams                      | 400 Mm   |
| Type of start / restart                  | Avtomatsko<br>Priročnik                                    |
| External Device Monitoring (EDM)         | Z ožičenjem izbran   |

## Komplementarno

|                                 |  |
|---------------------------------|--|
| Sistem zaznavanja               | Oddajno-sprejemni sistem   |
| Odzivni čas                     | 3 ms   |
| Sestava kompleta                | Prilagodljiv namestitveni nosilec<br>1 Sprejemnik(i)<br>1 Oddajnik(i)<br>1 uporabniški priročnik s certifikatom o skladnosti na CD-ROM-u<br>Silikonski o-obroč(i)<br>1 PVC kabel (y) |
| [EAA] effective aperture angle  | 2,5 ° Pri 3 m  |
| Emisije                         | IR LED 950 nm  |
| [Us] Nazivna napajalna napetost | 24 V DC +/- 20 %   |
| Dobava                          | Napajanje IEC 61496-1<br>Napajanje IEC 60204-1   |
| [Ie] nazivni obratovalni tok    | 2 A  |
| Poraba toka                     | 42 mA Brez obremenitve Oddajnik<br>83 mA Brez obremenitve Sprejemnik<br>42 mA Oddajnik<br>900 mA Z maksimalnim bremenom Sprejemnik   |
| Izhodne tokovne meje            | 0,4 A Varnost izhodi OSSD  |
| Izhodna napetost                | 24 V   |
| Tip izhodnega tokokroga         | DC   |
| Maksimalen padec napetosti      | <0,5 V   |
| Lokalno signaliziranje          | 1 Večbarvna LED Oddajnik<br>2 Dvobarvno LED-ice Sprejemnik   |
| Električna povezava             | 1 moški konektor M12 5 zatičev Oddajnik<br>1 moški konektor M12 8 zatičev Sprejemnik   |
| Tip kabla                       | Nezaščiten kabel AWG 22 10 m   |
| Ohmic cable resistance (per m)  | 55,31 MOhm   |

The information provided in this documentation contains general descriptions and/or technical characteristics of the performance of the products contained herein. This documentation is not intended as a substitute for and is not to be used for determining suitability or reliability of these products for specific user applications. It is the duty of any such user or integrator to perform the appropriate and complete risk analysis, evaluation and testing of the products with respect to the relevant specific application or use thereof. Neither Schneider Electric Industries SAS nor any of its affiliates or subsidiaries shall be responsible or liable for misuse of the information contained herein.

|                    |   |
|--------------------|---|
| Funkcija na voljo  | Test<br>Utišanje prek zunanega varnostnega modula XPSLCMUT1160<br>LED prikazovanje obratovalnih načinov in napak<br>Sistem proti kondenzaciji |
| Označevanje        | CE  |
| Material           | PMMA: Cev<br>Nerjaveče jeklo AISI 316L: Tesnilni čep<br>PVC: Kabel  |
| Barva ohišja       | Rdeča RAL 3000  |
| Način pritrjevanja | S pritrditvijo nosilcev   |
| Teža izdelka       | 4,43 Kg   |
| Tip ponudbe        | Dolga oddaljenost   |
| Dobavljena oprema  | Brez ogrevalnega sistema  |

## Okolje

|  |   |
|--|---|
| Direktive                                    | 89/336 / EGS - elektromagnetna združljivost<br>98/37/EEC - stroji<br>89/655 / EGS - delovna oprema                |
| Certifikati izdelkov                         | CULus<br>CE<br>TÜV<br>Ecolab  |
| Safety level (correctly wired)               | Tip 4 IEC 61496-1<br>SIL 3 IEC 61508<br>SILCL 3 IEC 62061<br>Kategorija 4 EN/ISO 13849-1<br>PL = e EN/ISO 13849-1 |
| Optical characteristic                       | Odpornost na svetlobne motnje EN/IEC 61496-2  |
| Mission time                                 | 20 Let/O/I/A  |
| Zanesljivost varnostnih podatkov             | PFHd = 7.55E-9 1 / h IEC 61508  |
| Temperatura okoliškega zraka za delovanje    | -20...55 °C<br>-10...55 °C  |
| Temperatura okoliškega zraka za skladiščenje | -30...70 °C<br>-25...70 °C  |
| Relativna vlažnost                           | 0...95 % Brez kondenzacije  |
| IP stopnja zaščite                           | IP69K   |
| Odporno proti udarcu                         | 10 Gn 16 ms IEC 61496-1   |
| Odpornost proti vibracijam                   | 0,35 +/- 0,05 mm 10...55 Hz)IEC 61496-1   |

## Embalažna enota

|                           |          |
|---------------------------|----------|
| Tip enote v embalaži 1    | PCE      |
| Število enot v embalaži 1 | 1        |
| Teža embalaže 1           | 5,749 Kg |
| Višina embalaže 1         | 13,5 Cm  |
| Širina embalaže 1         | 19,5 Cm  |
| Dolžina embalaže 1        | 90,0 Cm  |

## Trajnost ponudbe

|                                |  |
|--------------------------------|--|
| Status trajnostne ponudbe      | Izdelek Green Premium  |
| Uredba REACH                   |  <a href="#">Izjava REACH</a>   |
| REACH, brez snovi SVHC         | Da   |
| Direktiva EU ROHS              | Proaktivno zagotavljanje skladnosti (izdelek je zunaj področja uporabe direktive EU RoHS)  <a href="#">Izjava EU RoHS</a> |
| Brez strupenih težkih kovin    | Da   |
| Brez živega srebra             | Da   |
| Informacije o izvzetju iz RoHS |  <a href="#">Da</a>   |
| Razkritje okoljskih podatkov   |  <a href="#">Okoljski Profil Izdelka</a>  |
| Profil krožnega gospodarstva   |  <a href="#">Informacije O Izteku Življenjske Dobe</a>  |

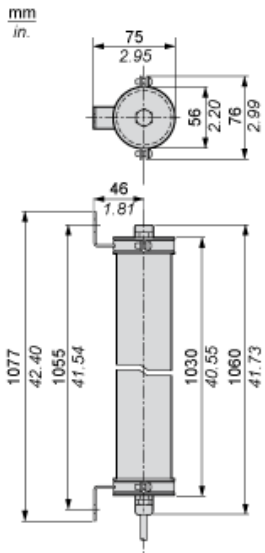
## Pogodbena garancija

---

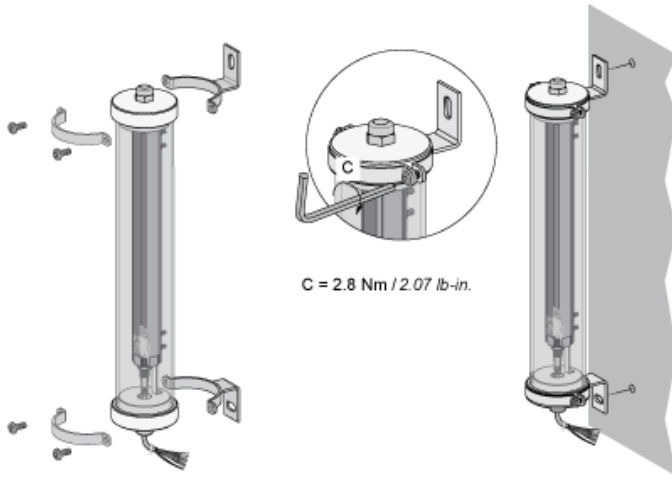
|           |           |
|-----------|-----------|
| Garancija | 18 months |
|-----------|-----------|

---

Dimensions



Mounting and Clearance



---

## Wiring Diagrams

---

### Transmitter Pre-wired

Brown: +24 Vdc

White: Configuration\_0

Blue: 0 Vdc

Green or Black: Configuration\_1

Grey: Functional Earth

Pink: Not connected

### Receiver pre-wired

White: Output signal switching device 1

Brown: +24 Vdc

Green: Output signal switching device 2

Yellow: Configuration\_A

Grey: K1\_K2 Feedback/Restart

Pink: Configuration\_B

Blue: 0 Vdc

Yellow/Green (or Red): Functional Earth

For configuration\_A and configuration\_B, please refer to receiver configuration and operating modes

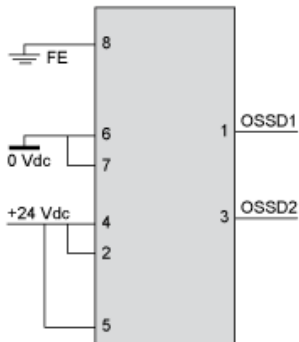
---

## Receiver Configurations and Operating Modes

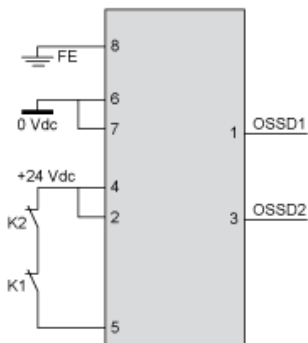
---

### Automatic Start/Restart

Without External Device Monitoring (EDM) feedback loop



With External Device Monitoring (EDM) feedback loop



## Manual Start/Restart

Without External Device Monitoring (EDM) feedback loop



(1) Restart

With External Device Monitoring (EDM) feedback loop



(1) Restart

## Connecting to a Safety Interface

**Discover**  
XUSL4E14F016N by

- Characteristics
- Dimensions Drawings
- Mounting and Clearance
- Connections and Schema
- Download & Documents

**Download & Documents 1 to 9 of 9**

**Image of product**

|  |                   |        |
|--|-------------------|--------|
| Generic image for XUSL standard sensing distance | SILENT 2014-12-11 | (Se ▼) |
|--|-------------------|--------|

**Product environmental**

|  |                    |       |
|--|--------------------|-------|
| XUSL4E..., XUSL2E... Safety Light Curtain, Product Environmental Profile | English 2014-09-08 | pdf ▼ |
|--|--------------------|-------|

**End of life manual**

|   |                    |       |
|---|--------------------|-------|
| XUSL4E..., XUSL2E... Safety Light Curtain, Product End-of-Life Instructions | English 2014-09-08 | pdf ▼ |
|---|--------------------|-------|

**Application solutions**

|  |                    |       |
|--|--------------------|-------|
| Safety light curtains association with safety interfaces | English 2016-01-08 | pdf ▼ |
|--|--------------------|-------|

**Catalog**

|                                     |                    |       |
|-------------------------------------|--------------------|-------|
| Safety light curtains Preventa XUSL | English 2015-05-18 | pdf ▼ |
|-------------------------------------|--------------------|-------|

**User guide**

|   |                    |       |
|---|--------------------|-------|
| XUSL2E..., XUSL4E... Type 2 and Type 4 Safety Light Curtains, User Manual | English 2015-06-25 | pdf ▼ |
|---|--------------------|-------|

①

②

1 : Click on Download & Documents

2 : Click on Application solutions

To have all connection schematics concerning our safety module, select "download and document" and download the file "Safety light curtains association with safety interfaces"